

1

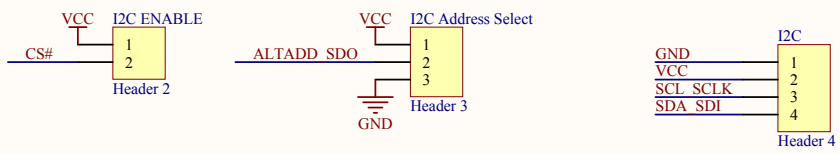
2

3

4

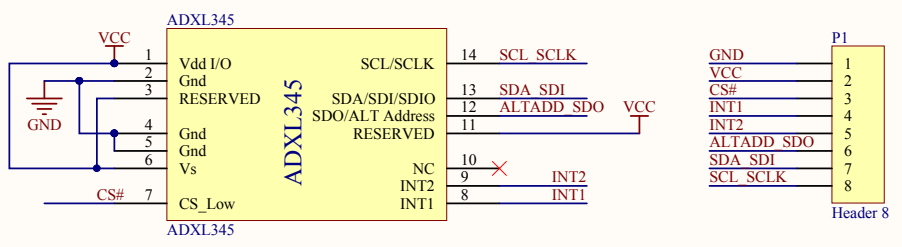
A

A



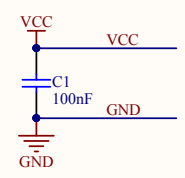
B

B



C

C



D

D

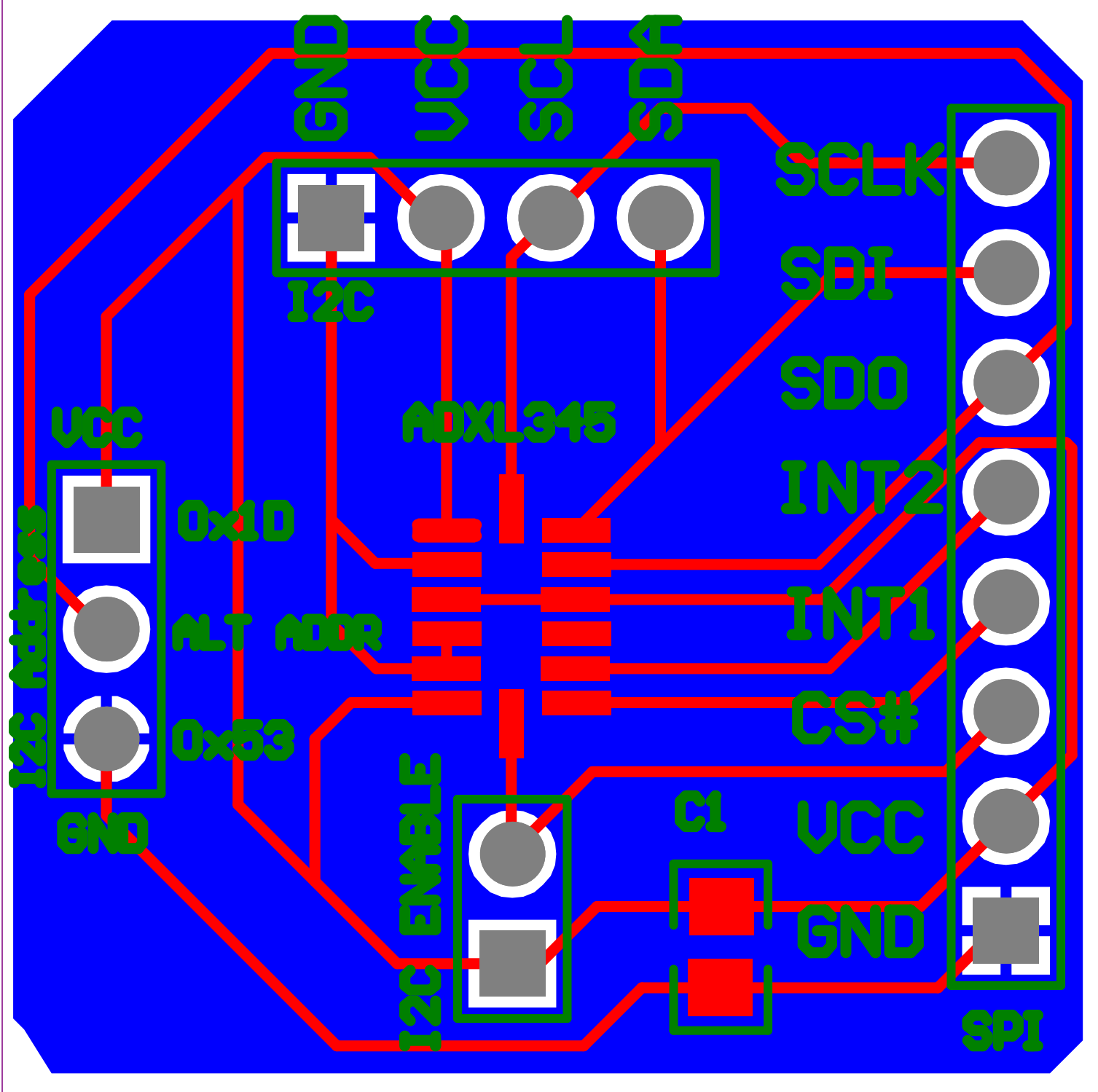
Title		
Size	Number	Revision
A4		
Date:	8/17/2013	Sheet of
File:	G:\capstone\...\ADXL345 Breakout.SchDoc	Drawn By:

1

2

3

4



Comment	Description	Designator	Footprint	LibRef	Quantity
ADXL345	ADXL345	ADXL345	LGA 14	ADXL345	1
100nF	Capacitor 100nF	C1	0805	C 0805	1
Header 4	Header, 4-Pin	I2C	HDR1X4	Header 4	1
Header 3	Header, 3-Pin	I2C Address Select	HDR1X3	Header 3	1
Header 2	Header, 2-Pin	I2C ENABLE	HDR1X2	Header 2	1
Header 8	Header, 8-Pin	P1	HDR1X8	Header 8	1